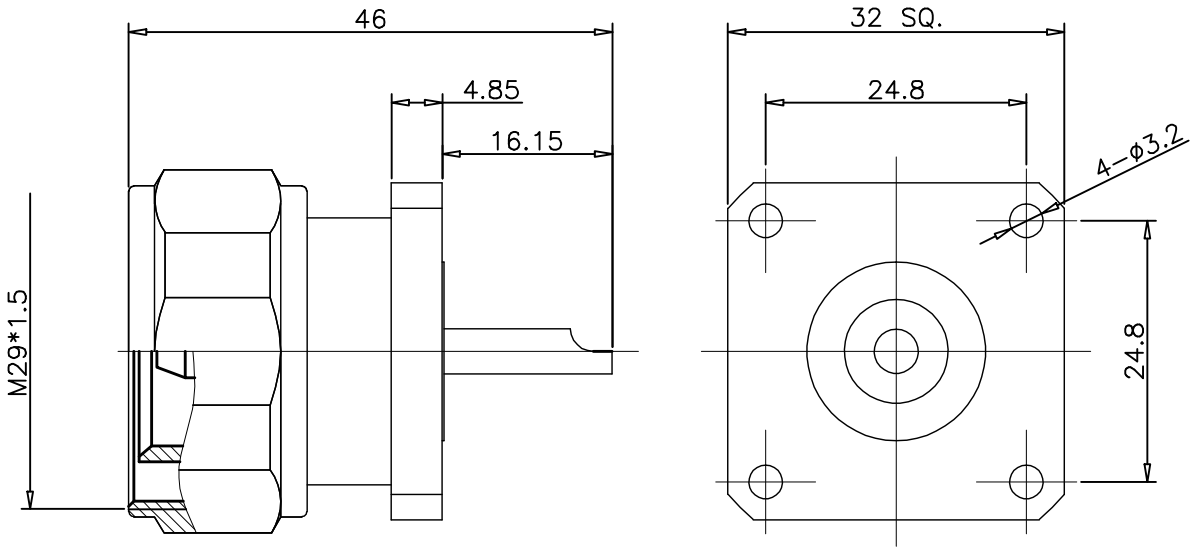


1	2	3	4
RevNo	Revision note	Date	Signature
00	Sketch Only	5/14/14	Teresa
			Checked Simon



Interface Per: IEC-60169-4

Material & Finishing:

1. Center conductor: Brass, Silver Plating
2. Insulators: PTFE
3. Body : Brass, Alloy Plating
4. Gasket: Silicone Rubber
5. Coupling Nut: Brass, Alloy Plating
6. Snap Ring: Beryllium.

RoHS Compliant.

ALL DIMENSIONS ARE IN MILLIMETERS AND [INCHES]

KERUI ELECTRONIC CO;LTD

Title

7/16 male flange mounted receptacle

THESE DRAWING & SPEC. ARE THE PROPERTY OF KERUI ELECTRONIC CO;LTD AND SHALL NOT BE REPRODUCED, OR COPIED OR USED AS THE BASIS FOR THE MANUFACTURE OR SALE OF APPARATUS OR DEVICES WITHOUT THEIR EXPRESS WRITTEN CONSENT.

UNLESS OTHERWISE NOTED ALL SURFACES FINISHED TO 64/MAX.  
ALL TOLERANCES ARE:  
DECIMALS FRACTIONS ANGLES  
x ± 1.0 ±1/64 x' ± 1'  
x.x ± 0.5 x'x' ± 0.5  
x.xx ± 0.1

Drawn by  
Teresa

Ckd by  
Simon

Appd by  
Richard

Date  
5/14/2014

Scale  
1.5:1

Sheet 1 of 1

90 1111 046 01